

# SAINT HIPPOLYTE CHURCH

26012 N. Frenchtown Rd., Guys Mills PA 16327  
(GPS only; send mail to the parish office)

## Liturgies:

Monday 8:30am Communion Service  
Sunday 11:00am

## Confessions:

By appointment

# *The Twenty- Second Sunday in Ordinary Time*

*September 3, 2023*

# OUR LADY OF LOURDES CHURCH

251 S. Franklin St., Cochranton, PA 16314  
(GPS only; send mail to the parish office)

## Liturgies:

Friday 8:30am Communion Service

## Confessions:

By appointment

IT IS THE MISSION OF SAINT HIPPOLYTE AND OUR LADY OF LOURDES TO FULLY, CONSCIOUSLY, AND ACTIVELY GROW AS A FAMILY CENTERED IN CHRIST MINISTERING TO THE ENTIRE CHRISTIAN COMMUNITY.

## Pastor

Rev. Jeffrey J. Lucas

## Parochial Vicar

Rev. Kyle Seyler

## Faith Formation Coordinator

Joyce Tarr 814-671-1009

## Administrative Assistant

Desiree Wagner

## Director of Music Ministries

Darcie Schoenfeldt

To schedule an appointment with  
Father Lucas or Father Seyler, call 814-336-1112.

## Parish Office

25997 State Highway 27, Guys Mills, PA 16327  
Phone: (814) 789-2022 Fax: 814-789-2025

Email: office@sainthippolytechurch.com

www.sainthippolytechurch.com

Office Hours: Monday-Friday, 9:00am-4:00pm

St. Hippolyte Social Hall: 814-789-4533

Our Lady of Lourdes Social Hall: 814-425-7550

## Weekly Liturgy Schedule

MONDAY, SEPTEMBER 4, LABOR DAY

TUESDAY, SEPTEMBER 5, WEEKDAY

WEDNESDAY, SEPTEMBER 6, WEEKDAY

THURSDAY, SEPTEMBER 7, WEEKDAY

FRIDAY, SEPTEMBER 8,

THE NATIVITY OF THE BLESSED VIRGIN MARY

8:30am OLL Communion Service

SATURDAY, SEPTEMBER 9, SAINT PETER CLAVER

SUNDAY, SEPTEMBER 10,

TWENTY-THIRD SUNDAY IN ORDINARY TIME

11:00am SH Mary & Harry Murray (John & Fran Greathouse)

Read the parish bulletin online at [www.sainthippolytechurch.com](http://www.sainthippolytechurch.com)

## HELPING HANDS MINISTRY

### Coordinators:

Fran Greathouse ..... 814-425-2549

Carole Jones ..... 814-789-2881

### Prayer Requests:

Bob & Denise Schoenfeldt ..... 814-333-8464

Julia Hovis ..... 814-657-3265

### Visitation:

Carole Jones (cards) ..... 814-789-2881

Pam Garofola (cards) ..... 814-720-8190

Connie Molli (visits/telephone).... 814-967-3813

Judy Shonnard (visits) ..... 814-758-1169

Brenda Withers (telephone)..... 814-425-1062

### Ministry of Welcome:

Garold Molli ..... 814-967-3813

Rosanne Chamberlain ..... 814-374-4026

### Elizabeth Ministry:

Carol Barickman ..... 814-789-3814

### Transportation:

Jennifer Mitchell ..... 412-965-2141

### Services to the Bereaved:

Kay Hotchkiss (Mass) ..... 814-425-3933

Mary Ann Francic (Mass) ..... 724-452-4492

Kitty Jehn (Dinner) ..... 814-425-8282

Cathy Kalinowski (Dinner) ..... 814-425-2484

Rita Bogardus (Dinner) ..... 814-789-2679

Joyce Tarr (Follow up) ..... 814-671-1009

### Emergency Home Care:

Mary Beth Coyle (Meals) ..... 814-350-6218

Amy Mercier (Meals) ..... 814-795-0052

Chris Ploski (Odd Jobs) ..... 814-282-7635

Shannon Ploski (Odd Jobs) ..... 814-282-7634

Dave Wolff (Odd Jobs) ..... 814-573-6260

Mary Everitt (Respite Care) ..... 814-853-0599

**PARISH MEMBERSHIP:** Membership includes active participation in the sacramental life of the Church, involvement in the activities of the faith community and financial support of the parish. New members are welcome to register by calling the parish office.

**BAPTISM:** Parents must attend the Pre-Baptism Program. Call the parish office for a copy of the program schedule and to schedule your child's baptism.

**MARRIAGE:** One party must be a registered parishioner and actively involved for one year before scheduling a wedding. Please call the parish office at least six months prior to the proposed date of marriage. No date can be set before the first interview with the priest has been completed.

**ANOINTING OF THE SICK:** Please phone the parish office immediately if a loved one is sick or hospitalized.

## THE SACRAMENT OF RECONCILIATION

is offered in our parish 10 minutes prior to and immediately following Sunday Mass. Confession is also offered at The Epiphany of the Lord Parish, Saint Agatha Church (353 Pine Street, Meadville) on Saturday mornings following the 8:00am Mass and on Saturday afternoons at 3:30pm. To schedule an appointment with Father Lucas or Father Seyler, call 814-336-1112.

## EVENTS THIS WEEK

Monday Labor Day—Parish Office Closed  
Tuesday 6:30pm Rosary at OLL  
7:00pm Choir at SH  
Wednesday 7:00pm Le Nom du Pere Society meeting at SH

## COMING EVENTS

Sept. 11-15 Parish Office Closed  
Sept. 11 Family Society meeting at OLL 7:00pm  
Sept. 17 Faith Formation Registration at SH 12:00pm

## READINGS FOR THE WEEK

TODAY: Jer 20:7-9/Rom 12:1-2/Mt 16:21-27  
MONDAY: 1 Thes 4:13-18/Lk 4:16-30  
TUESDAY: 1 Thes 5:1-6, 9-11/Lk 4:31-37  
WEDNESDAY: Col 1:1-8/Lk 4:38-44  
THURSDAY: Col 1:9-14/Lk 5:1-11  
FRIDAY: Mi 5:1-4a or Rom 8:28-30/Mt 1:1-16, 18-23  
SATURDAY: Col 1:21-23/Lk 6:1-5  
SUNDAY: Ez 33:7-9/Rom 13:8-10/Mt 18:15-20

## HAPPY BIRTHDAY

Sept 4: Ron Kalinowski  
Sept 5: Mary Grundy  
Sept 7: Keri Huddleson  
Sept 8: Judy Clark  
Sept 9: Stephen Schwartz Jr.  
Sept 10: Robert Kuhn

## HAPPY ANNIVERSARY

Sept 6: Brian & Beth Burnette

## QUESTION OF THE WEEK

*Suggested text for faith sharing: Today's Gospel*

**Adults** – Jesus gives us the core truth to life and eternal happiness — the cross. Name the cross that you carry. How is it bringing you closer to God?

**Youth** – In order to follow Jesus, we have to do hard things, to carry our own crosses. What is a cross that you are carrying right now? In what ways can you ask Jesus to help you with your cross?

**Children** – Jesus tells us that we are each called to follow Him. What is hard for you to do to follow Jesus?

[lifelongcatechesis.osv.com](http://lifelongcatechesis.osv.com)

## SACRIFICIAL GIVING

*Our gifts given in thanksgiving for what we have already received.*

	SH	OLL
Offertory last week:	\$2,404	\$ 165
envelopes used:	31	9
Building Fund last week:	\$ 344	\$ 15
envelopes used:	14	2

### *Catholic Services Appeal 2023:*

Diocesan Assessment: \$27,632

# of Gifts/Pledges: 93

Pledged: \$36,510 Received: \$30,485

*Thanks for your generosity and dedication.*

Many have asked how they can still support our parish if they attend Mass at another parish. If you attend Mass at another parish, simply drop your offertory envelope in their collection basket and it will be forwarded to our parish. We do the same for those who attend Mass in our parish but are members of another parish. **Thank you for your continued support.**

## HELPING HANDS PRAYER

Not by power and popularity, O God, but in suffering and self-sacrifice did Jesus fulfill his call as our Messiah, showing us the cost of discipleship. Do not let us stumble at so daunting a prospect, nor set our minds on the human wisdom that seeks an easier way; but let us deny ourselves, take up our cross, and follow with courage where Jesus leads. We ask this through our Lord Jesus Christ, Your Son, Who lives and reigns with You in the unity of the Holy Spirit, God for ever and ever. Amen.



## LOOKING FOR RESOURCES FOR YOUR FAMILY?

Discover why families always matter at:  
<http://www.eriecd.org/fam.htm>



## LIKE US ON FACEBOOK:

Saint Hippolyte/Our Lady of Lourdes Roman Catholic Church



Join the diocesan Facebook page at  
[www.ErieRCD.org](http://www.ErieRCD.org)

Contact the parish office for bulletin announcements. The deadline for submitting information to be included in the parish bulletin is Monday at noon. **The deadline for the bulletin of September 17 is Thursday, September 7.** To avoid confusion, information should be submitted in writing.

If you would like the Sanctuary Candle to be lit in memory of your loved one at either Saint Hippolyte or Our Lady of Lourdes, please call Desi at the parish office at 814-789-2022. We request \$10 per week.

**Our Lady of Lourdes Church will be open for private prayer each Friday** until noon, following the Communion Service and Rosary.

**The Rosary will be prayed** on Tuesday, September 5 at 6:30pm at Our Lady of Lourdes. All are welcome to join us in prayer.

**Le Nom du Pere Society** will meet on Wednesday, September 6 at 7:00pm at Saint Hippolyte. All are welcome to attend. If your schedule permits, arrive a few minutes early for food and fellowship.

**We are planning to begin a new RCIA class soon.** Usually RCIA (Right of Christian Initiation for Adults) means only that you want to become a member of the Catholic Church, but this class is also for those who just want more information about the church. Maybe you come to Mass with your Catholic spouse but you have some questions or would like to be more informed; or you are a long time Catholic with questions or wanting additional information. This class is also for Catholics who would enjoy sharing their faith with the other attendees. We are planning to meet for an hour after Mass on the Sundays that will suit everyone involved. If you are interested, please contact Jack or Carole Jones at 814-789-2881.

**The Chosen, Season 3 with Deacon Ken** will be held on Mondays September 11 thru October 30 from 1:00-2:30pm in St. Brigid's Room 5-7. Please register with Amy at 814-336-1112 or email amy.mosbacher@catholic-meadville.org

**Theology Uncorked: Developing a Personal Relationship with Jesus Christ in Catholicism** Father Jeff will lead us in not only what a personal relationship with Jesus Christ in Catholicism, but also journey together to deepen and enrich our own on Wednesdays from September 13 thru October 18 at 6:30pm at St. Agatha Center. Please register with Amy (see above) so that folders can be made.



**Christmas Cards** with 4 different photos of Saint Hippolyte Church are available for pre-order, with payment in advance. The cost is \$18 for a set of 12 cards and envelopes. Please contact Chris Waddell at 814-720-5584 to place an order or for more information. Order deadline is September 15.

## WHOLE COMMUNITY CATECHESIS

### STAINED GLASS

Paul Turner

For many people, stained glass windows make church buildings distinct. Their shape, size and imagery set churches apart from other structures, even those that put stained glass to secular usage. No Catholic church building is required to have stained glass, but it remains a popular choice for decoration.

Perhaps the greatest effect of stained glass is the way it changes the believer's perception of walls. People who step inside a church cross over a threshold that ushers them into sacred space. They think differently about the world around them, as they place themselves at the portal of heaven. Heavy church walls can make the interior seem completely removed from the world around it. Clear glass windows invite the outside in. Glass can help people appreciate the relationship between the church and the world, as they gather inside a place where they praise the God who created what is outside.

Stained glass, however, changes the walls into something else. These windows filter the incoming light and color them. They lift the heads of worshippers to meditate on things outside normal experience. Stained glass windows acknowledge the existence of the world outside, but also of a world that is more difficult to see, a realm of more mysterious light.

Some stained glass windows carry religious images. Others arrange abstract designs. They can assist catechesis, create harmony, and inspire devotion. Many of them carry the names of donors, though this can distract from the religious purpose of the windows for the assembled faithful.

Churches blessed with good stained glass windows struggle to keep them clean and in good repair. Congregations that treasure them honor their heritage and prepare the next generations for the future, just as they do with their greatest treasure, their faith.

*Bulletin Inserts for the Liturgical Life of the Parish: The Parish Church and Furnishings* © 2020 Archdiocese of Chicago: Liturgy Training Publications. All rights reserved. Written by Paul Turner.

**STAINED GLASS WINDOW RESTORATION  
PHASE I**

As you are aware, our historic stained glass windows need some significant repair and restoration. A committee has been formed to help facilitate the project completion. The committee wants to be as transparent as possible and let you know what is taking place. Phase I will be to **restore six windows** that are in urgent and dire need of repair.

The total cost for those six windows is \$79,100. The cost will include removal of the windows and complete replacement of the lead came, wood frame repair plus painting and a protective glazing storm window. This work will give the windows an additional life span of 80-100 years.

The cost of Phase I will be covered half by funds in the Building Fund on hand (\$39,600) and half by a loan from the Diocese (\$39,500). A Letter of Intent from the selected contractor states with the work being done during their slow workload time of the year, they would offer us a 5% discount at the completion of Phase I. This would be a \$3,955 savings/credit by moving forward now for Phase I.

\*\*Note\*\* St. Hippolyte Church does NOT have any loans or debts currently. \*\*\*

In Phase I, we will be looking to contact the families/relatives of those whose names are on the original windows to see if they would be willing to contribute to the restoration. Those names are listed below.

\*\*\*Please, if you know any connections to these families or individuals – or are willing to research those names -please let us know. \*\*\*\*

Continuing forward with the project, if you and/or your family are interested in donating, pledging, or sponsoring a window, please let us know that as well. The cost of the "A", single panel windows (see diagram on reverse side) would be \$7500. The cost of the "B", double panel windows, would be \$7500 per panel. The "C" windows would be \$5500 per panel. The "D" window would be \$11,500 per panel. Plaques with the names of the donors will be placed on the windows.

If you wish to make a contribution of \$1,000 toward a window, you and/or your family will be listed on a plaque on a window with other donors who contributed likewise.

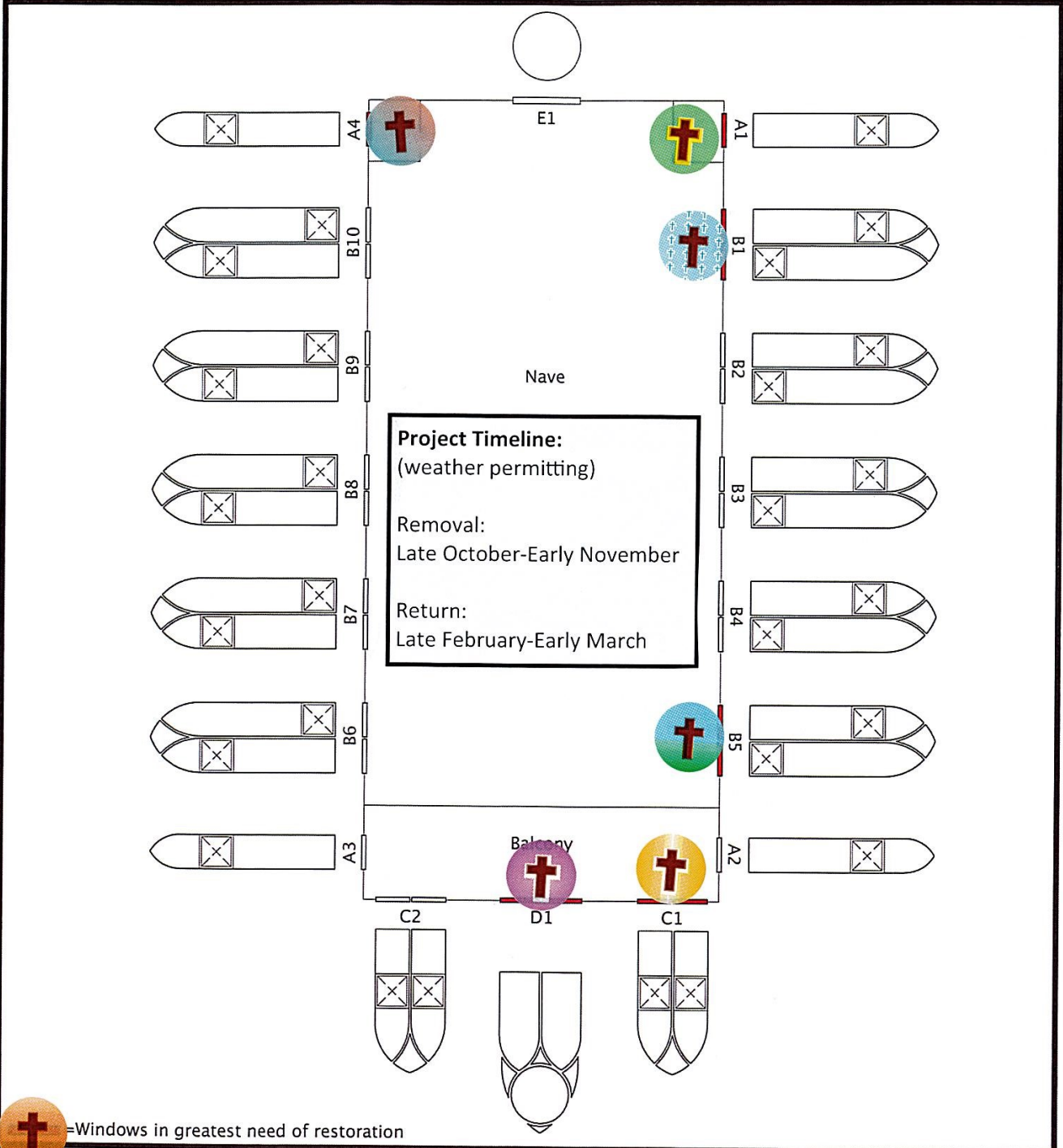
We will be seeking grants and doing additional fund raising in the future to help fund the work for Phase II. That phase will be the restoration of the other 12 windows.

Please let us know how you would like to help restore the beauty of our Stained-Glass windows.

Names of Original Donors:

Chalot Family      Sebastien Guillam      John O'Neil      Joseph Doubet      Louis Nageotte  
Cesarine Bousson      Florentin Prenatt & Family      Josephine Prenatt      Alonzo Galmiche      Nee Jeunet  
George Prenatt      F. Duchanois & Family      Jeremiah Keating      Joseph Brunot      S.B. Guillam  
J. Bron      Michael Skelly      Euphrasie & Francois Poly

Names on plaques from 1979 restoration work: Leon & Dora Beuchat, Eugene & Scholastica Leri, Living and Deceased Members of the Altar Rosary Society, Mr. & Mrs. Robert H. Bowler, Michael Romonovich, Ann Romonovich



= Windows in greatest need of restoration

<p>DESCRIPTION</p> <p>TYPE:</p>	<p><b>Pittsburgh Stained Glass Studios</b> 160 Warden St., Pittsburgh, PA 15220 Ph: 412-921-2500 Fax: 412-920-2805 www.pittsburghstainedglassstudios.com</p>	<p>NOTES:</p>
<p>JOB: St. Hippolytes Church</p> <p>LOCATION: Guys Mills, PA</p>		
<p>PAGE: 1 of 1    SCALE: none    DATE: 4/1/2023</p>		



**Pavilion Rental for All Occasions!**

**Ryan M. Warren Funeral Home and Cremation Services, Inc.**

544 Chestnut Street Meadville, PA 16335 814.724.2120  
33353 N. Main Street Townville, PA 16360 814.967.3295

[www.WarrenFH.com](http://www.WarrenFH.com)

"Owning and operating our own crematory right here in Meadville, with your loved one every step of the way"

Judith T Shonnard E.A., Registered Representative

**Shonnard Tax & Financial Services**

Securities offered through Avantax Investment Services™, Member: FINRA, SIPC  
Insurance Services offered through Avantax affiliated Insurance Agency

Judy@shonnardtax.com  
P/F 814.425.3953

107 Pearl St., PO Box 372  
Cochranon, PA 16314

**FOULK'S FLOORING AMERICA**

15627 CONNEAUT LAKE RD.  
MEADVILLE, PA 16335 337-2230  
CARPET • CERAMIC • VINYL  
RUGS • WOOD • BLINDS  
HOURS: Mon. - Fri. 8 am - 7 pm / Sat. 9 am - 5 pm



**GORDON'S WELDING & EXCAVATING**

Lawn Installation • Stone Walls • Driveways • Hauling  
Gravel • Top Soil • Mulch • Snow Plowing

Phone (814) 333-8716  
Cell (814) 720-3978

23968 State Hwy. 77  
Meadville, PA 16335

**R Hunter Inc.**

Gravel and Rock Crushing,  
Excavating, Trucking, Snow  
Removal, Site Work



15428 Sheets Rd  
Guya Mills, PA 16327

Cell: 814-724-9076  
Shop: 814-967-3484  
Fax: 814-789-2296



3170 E. State St. • Hermitage, PA  
724.346.1105  
Fax: 724.346.1107

FULL COLOR DIGITAL PRINTING / COLOR COPIES  
LARGE VOLUME B&W COPIES / LAMINATING  
MAILING SERVICE / BINDING / FAX SERVICE  
[www.hermitage.minutemanpress.com](http://www.hermitage.minutemanpress.com)

For advertising information, contact Minuteman Press • 724.346.1105

**NEW TO OUR COMMUNITY? JOIN OUR PARISH!**

Welcome to our parish! We hope you will become a part of our parish family!

Name \_\_\_\_\_ Phone \_\_\_\_\_

Address \_\_\_\_\_

Check One:

Saint Hippolyte

Our Lady of Lourdes

Please drop this form in the offertory basket or mail to the parish office.